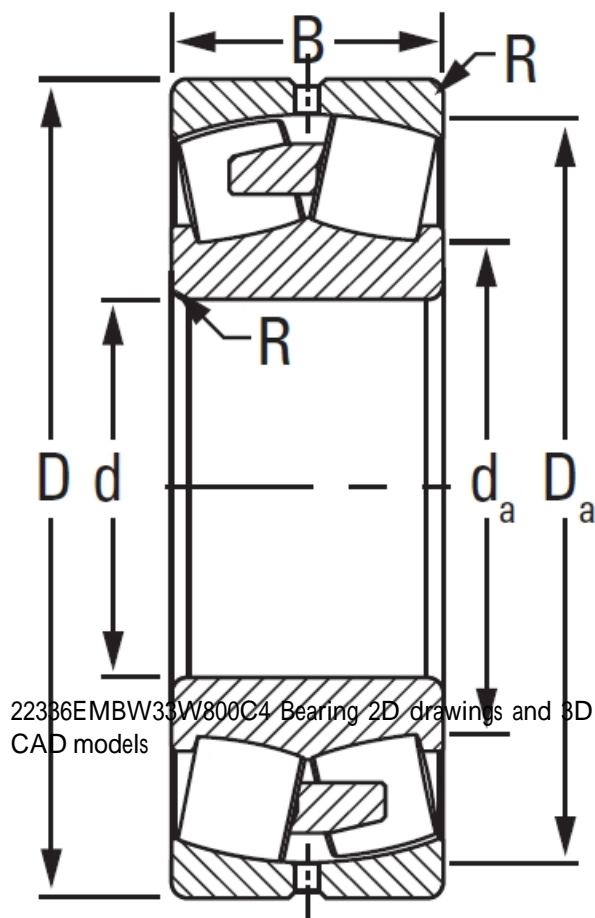




# Changzhou Tensun Bearing Co., Ltd.

## TIMKEN 22336EMBW33W800C4 Bearing

Bearing No. 22336EMBW33W800C4



22336EMBW33W800C4 Bearing 2D drawings and 3D CAD models

Design Unit	METRIC
Bearing Weight	69 Kg
Cage Type	EMB
UPC Code	087796195547
Cage Material	Brass
Superseded Part	22336YMBW33W800C4
d	180 mm
D	379.993 mm
B - Inner Ring Width	126 mm
B - Outer Ring Width	126.000 mm
R - Inner Ring To Clear Radius <sup>1</sup>	3.0 mm
r - Outer Ring To Clear Radius <sup>2</sup>	3.0 mm
da - Inner Ring Backing Diameter	232.000 mm
Da - Outer Ring Backing Diameter	343.000 mm
C0 - Static Radial Rating	2600000 N
C1(2) - Dynamic Radial Rating (Two-Rows)	2190000 N
e - ISO Factor <sup>3</sup>	0.32
Y0 - ISO Factor <sup>4</sup>	2.13
Y1 - ISO Factor <sup>5</sup>	3.17
Y2 - ISO Factor <sup>6</sup>	2.08
Reference Thermal Speed Rating (Grease)	1200
Reference Thermal Speed	1300



## Changzhou Tensun Bearing Co., Ltd.

Rating (Oil) <sup>7</sup>	
Cg - Geometry Factor <sup>8</sup>	0.0988