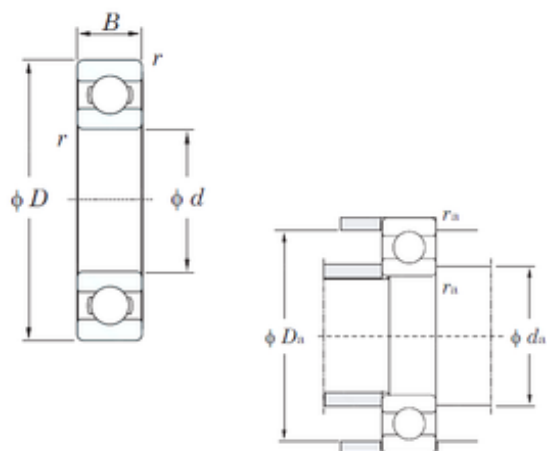




Changzhou Tensun Bearing Co., Ltd.



Auto SKF Timken Koyo NSK 6000 6001 6002
 6003 6004 6005 6007 6008 6200 6300 6301 6302
 6303 6304 6305 6306 6308 6314 6410 6411 6412
 6414 Ball Bearings

Bearing No. 6000

6000 Bearing 2D drawings and 3D CAD models

Size	10x26x8 mm
Bore Diameter	10 mm
Outer Diameter	26 mm
Width	8 mm
d	10 mm
D	26 mm
B	8 mm
C	8 mm
r min.	0,3 mm
da min.	12 mm
Da max.	24 mm
ra max.	0,3 mm
Weight	0,019 Kg
Basic dynamic load rating (C)	4,55 kN
Basic static load rating (C0)	1,95 kN
(Grease) Lubrication Speed	31000 r/min
(Oil) Lubrication Speed	36000 r/min
Category	Single Row Ball Bearings
Inventory	0.0
Manufacturer Name	KOYO
Minimum Buy Quantity	N/A
Weight / Kilogram	0.02
Product Group	B00308



Changzhou Tensun Bearing Co., Ltd.

Enclosure	Open
Precision Class	ABEC 1 ISO P0
Maximum Capacity / Filling Slot	No
Rolling Element	Ball Bearing
Snap Ring	No
Internal Special Features	No
Cage Material	Steel
Internal Clearance	C0-Medium
Inch - Metric	Metric
Long Description	10MM Bore; 26MM Outside Diameter; 8MM Outer Race Diameter; Open; Ball Bearing; ABEC 1 ISO P0; No Filling Slot; No Snap Ring; No Internal Special Features
Category	Single Row Ball Bearing
UNSPSC	31171504
Harmonized Tariff Code	8482.10.50.68
Noun	Bearing
Keyword String	Ball
Manufacturer URL	http://www.koyousa.com
Manufacturer Item Number	6000
Weight / LBS	0.045
Outside Diameter	1.024 Inch 26 Millimeter
Outer Race Width	0.315 Inch 8 Millimeter
Bore	0.394 Inch 10 Millimeter
Bearing No.	6000
r(min)	0.3
Cr	5.70
C0r	1.95
Cu	0.100
f0	12.3



Changzhou Tensun Bearing Co., Ltd.

Grease lub.	31000
Oil lub.	36000
da(min)	12
Da(max)	24
ra(max)	0.3
(Refer.)Mass(kg)	0.019